

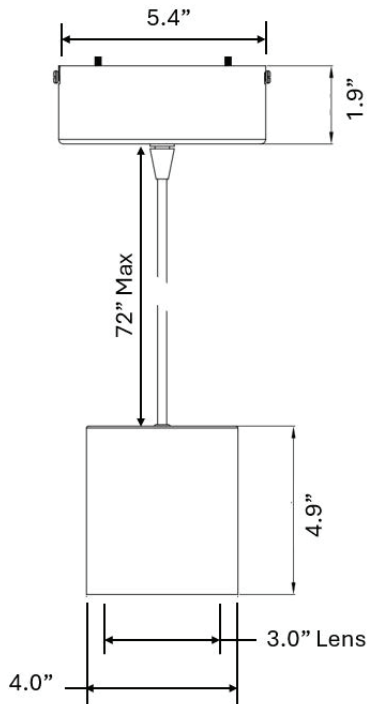
Date: \_\_\_\_\_  
 Project: \_\_\_\_\_  
 Type: \_\_\_\_\_  
 Cat. #: \_\_\_\_\_

### PRODUCT IMAGES



#### Standard Dimensions:

Mounts to customer supplied 4" Octagonal JBox



### SPECIFICATIONS

#### Applications:

- New Construction Cylinder used for Indoor Commercial or Architectural applications.
- Suitable for ambient temperatures up to 35C (95F) with free airflow around fixture.

#### Key Dimensions

- Aperture – 3"
- Height – 4.9"
- Diameter – 4"
- Mounts to 4" Octagonal J Box

#### Construction:

- Cylinder body is powder coated extruded aluminum.
- Driver mounted within canopy for serviceability.
- Standard 72" matching cord and canopy adjustable to minimum 6" length

#### Electrical:

- 120 thru 277v 50/60hz Input Power
- <20% THD; PF > 0.9
- EMI FCC 47CFR Part 15, Class A
- Standard 0-10v dimming to 10%
- Driver Sources up to 2ma of current to the dimming circuit
- FCC Part15, Class A

#### Certifications:

- UL Listed for Damp Locations

#### Warranty:

- Standard 5 Year Limited Warranty
- See [www.heliosltg.com/warranty](http://www.heliosltg.com/warranty) for Details.

### ORDERING INFORMATION

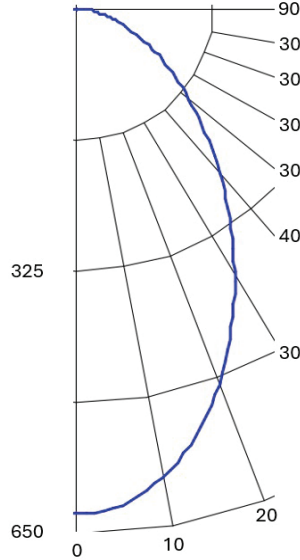
ORDERING EXAMPLE: SC3R15L35KWHT

Aperture	Output	Kelvin	Cylinder Color	Dimming
SC3R - 3" Round Cylinder	10L - 1000 lumens	30K	WHT - White Paint	Blank - 10%, 0-10V Dimming
	15L - 1500 lumens	35K	BLK - Black Paint	
	20L - 2000 lumens	40K		

## PHOTOMETRICS

Fixture: **SC3R10L35KWHT**  
 LED: 3500Kelvin, 80+ CRI  
 Delivered Lumens: 1026

System Wattage: 9.5  
 System LPW: 108.0  
 Spacing Criteria: 1.0



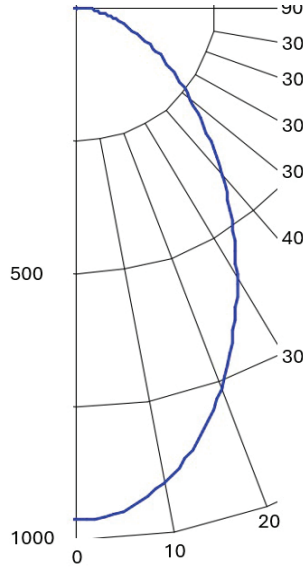
Degrees	Candela	Zonal Lumens		
		Zone	Total	% Luminaire
0	625			
10	589	58	58	5.7%
20	547	153	211	20.6%
30	376	200	411	40.1%
40	265	198	609	59.4%
50	175	167	776	75.6%
60	108	124	900	87.7%
70	57	80	980	95.5%
80	20	38	1018	99.2%
90	0	8	1026	100.0%

Test System::EVERFINE GO-R5000\_V2 SYSTEM V2.0.403  
 Test Date: 2024-01-13  
 Tested in accordance to IESNA LM-79-2008

## PHOTOMETRICS

Fixture: **SC3R15L35KWHT**  
 LED: 3500Kelvin, 80+ CRI  
 Delivered Lumens: 1555

System Wattage: 15.1  
 System LPW: 103.0  
 Spacing Criteria: 1.0



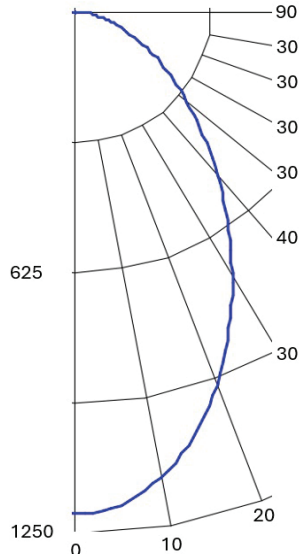
Degrees	Candela	Zonal Lumens		
		Zone	Total	% Luminaire
0	946			
10	883	87	87	5.6%
20	735	232	319	20.5%
30	556	302	621	39.9%
40	389	300	921	59.2%
50	256	253	1174	75.5%
60	157	189	1363	87.7%
70	81	121	1484	95.4%
80	26	59	1543	99.2%
90	0	12	1555	100.0%

Test System::EVERFINE GO-R5000\_V2 SYSTEM V2.0.403  
 Test Date: 2024-01-13  
 Tested in accordance to IESNA LM-79-2008

## PHOTOMETRICS

Fixture: **SC3R20L35KWHT**  
 LED: 3500Kelvin, 80+ CRI  
 Delivered Lumens: 2076

System Wattage: 20  
 System LPW: 103.8  
 Spacing Criteria: 1.0



Degrees	Candela	Zonal Lumens		
		Zone	Total	% Luminaire
0	1208			
10	1130	112	112	5.4%
20	951	299	411	19.8%
30	729	397	808	38.9%
40	518	402	1210	58.3%
50	346	344	1554	74.9%
60	213	258	1812	87.3%
70	112	167	1979	95.3%
80	37	81	2060	99.2%
90	0	16	2076	100.0%

Test System::EVERFINE GO-R5000\_V2 SYSTEM V2.0.403  
 Test Date: 2024-01-01  
 Tested in accordance to IESNA LM-79-2008